

# Ripple - V3



IP20

## DESIGN BY

BIG - Bjarke Ingels Group

## DESCRIPTION

It is a suspension system that models the qualities of space according to a molecular growth, combining light and sound absorption.

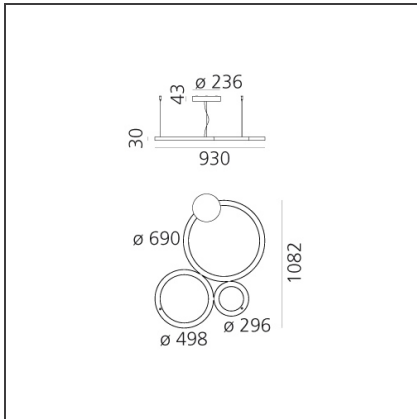
Once again, Artemide's project with BIG is guided by a strong idea of interaction with spaces, an open, modular and scalable solution that combines technological innovation with compositional intelligence, translating them into something apparently elementary but scenographic and full of potential.

The bare structural ring of Ripple allows the distribution of sound-absorbing modules in space and the fullest possible exploitation of their potential, leaving the sound-absorbing surfaces as exposed as possible. The reciprocal position of the sound-absorbing elements is every bit as important as their number.

Acoustic comfort is the psychophysical condition of well-being in which we find ourselves when we are surrounded by sound, in relation to the activity we are performing. A place's acoustic quality is determined by reverberation time, space and the sound-absorbing, reflective and distribution properties of the surfaces that cover it.

Aobj (m2) is the equivalent acoustic absorption value of an object at different sound frequencies necessary to calculate the reverberation time of a space.

## TECHNICAL DRAWINGS



## FEATURES

<b>Article Code:</b>	1960010A	<b>Series:</b>	Design, 2019 Artemide Collection
<b>Colour:</b>	Aluminium		
<b>Installation:</b>	Suspension		
<b>Environment:</b>	Indoor		

## DIMENSIONS

<b>Length:</b>	cm 93
<b>Width:</b>	cm 108.2
<b>Height:</b>	cm 3
<b>Base Diameter:</b>	cm 23.6

## LUMINAIRE

<b>Watt:</b>	52W	<b>Delivered lumens output (lm):</b>	2400lm
		<b>CCT:</b>	3000K
		<b>Efficiency:</b>	48%
		<b>Efficacy:</b>	46lm/W
		<b>CRI:</b>	90

**ACCESSORIES**

Ripple Lamp -  
Tissue sound  
absorbent 30  
1964110A



Ripple Lamp -  
Tissue sound  
absorbent 60  
1964210A



Ripple Lamp -  
Tissue sound  
absorbent 90  
1964310A



Ripple Lamp -  
Tissue diffused 30  
1965110A



Ripple Lamp -  
Tissue diffused 60  
1965210A



Ripple Lamp -  
Tissue diffused 90  
1965310A